
KIT PART NUMBER 7212160
INSTRUCTIONS FOR INSTALLING A LEXAN REINFORCING EXTRUSION
KIT IN AN OUTDOOR SNACK ATV

CHECK THE PARTS RECEIVED IN THE KIT WITH THE PARTS LIST IN THESE INSTRUCTIONS. IF ANY PARTS ARE MISSING, CONTACT THE NATIONAL VENDORS PARTS DEPARTMENT IMMEDIATELY.

Read these instructions carefully before installing the kit.
Keep these instructions for part numbers and for future reference.

This kit contains the following :

PART NUMBER	DESCRIPTION	QUANTITY
7212156	CHANNEL - LEXAN - LOWER & UPPER	2
7212159	LEXAN - CURVED - FRONT	1

NOTE

This procedure is much easier when performed by two people.

CAUTION

Some parts are caulked in place with silicone RTV. Even after the securing screws are taken out, these parts may be somewhat difficult to remove. Be careful not to damage the parts that you will need to reuse. Also, note where the silicone has been applied because you will need to reapply more silicone later.

1. See figure 1. Remove the following items, and save them for later use:
 - a. Rain guard,
 - b. Horizontal trim,
 - c. Groove fillers,
 - d. All attaching hardware.

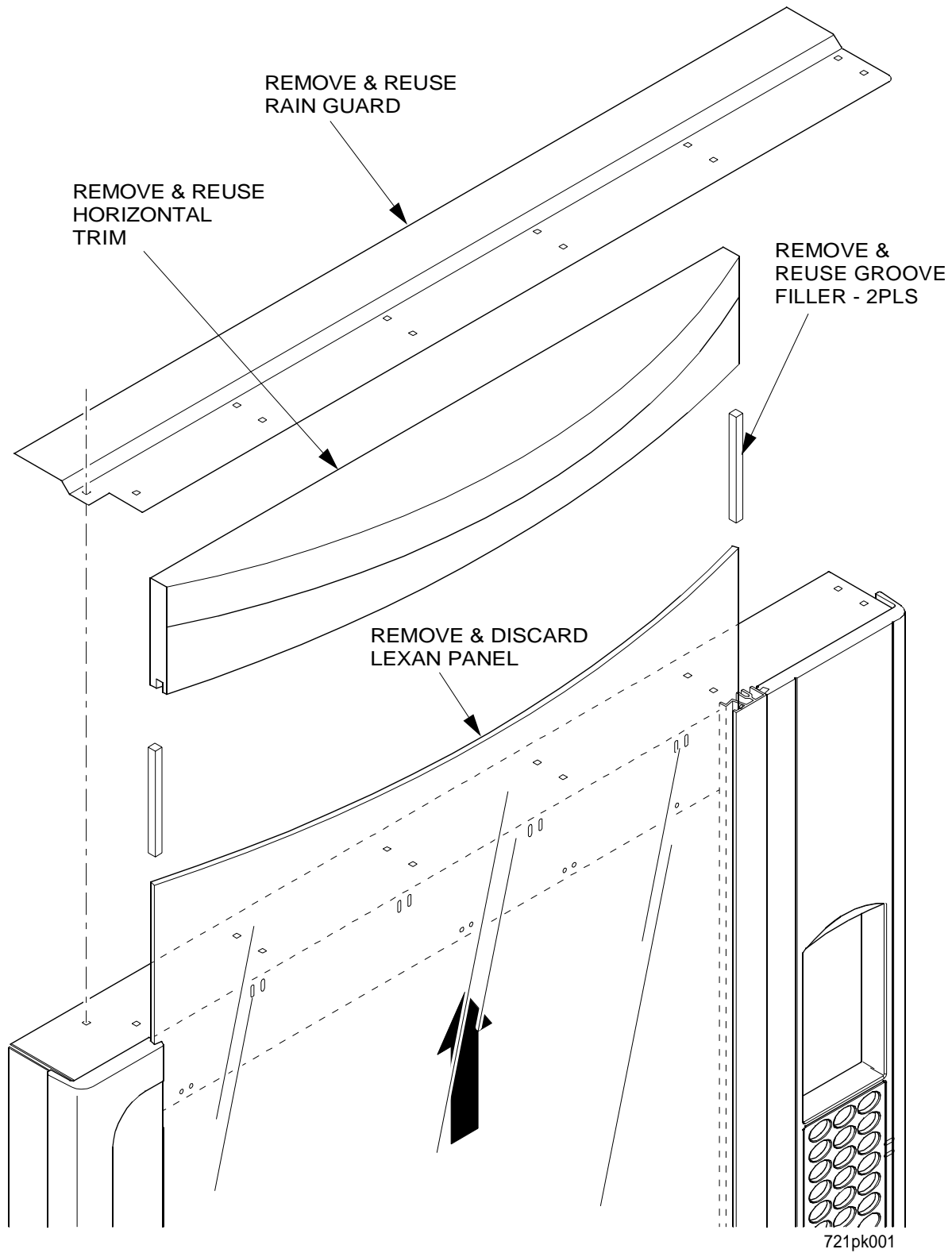


Figure 1

2. Remove and discard the lexan panel as shown. If you don't have enough headroom to slide the lexan panel all the way up out of the side trim, remove it as follows:
 - a. Slide the lexan panel up until it clears the lower trim slot.
 - b. From the inside of the door, push the center of the panel until the sides are free of the side trim slots.
3. See figure 2. Remove the old gasket and discard.

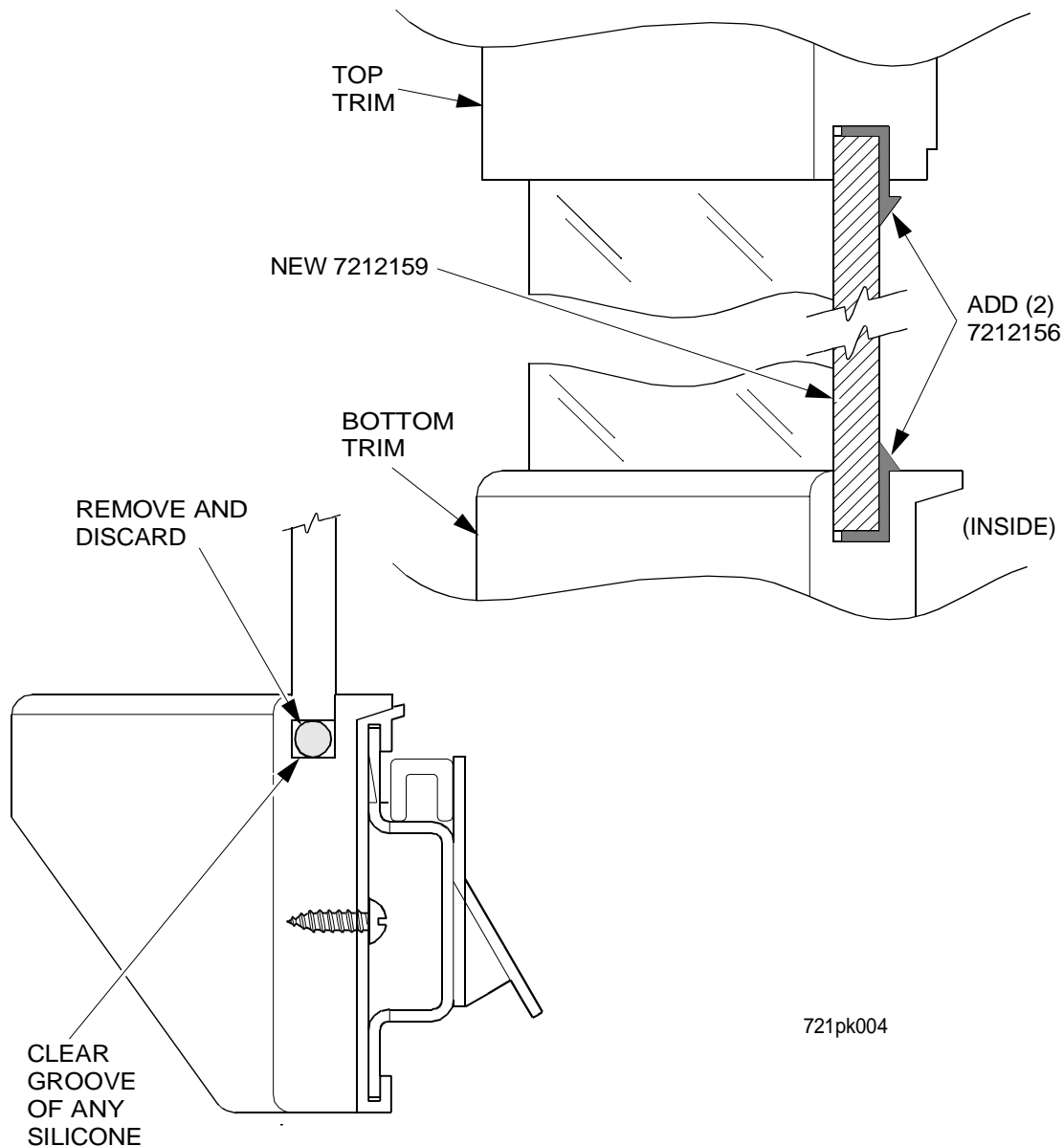


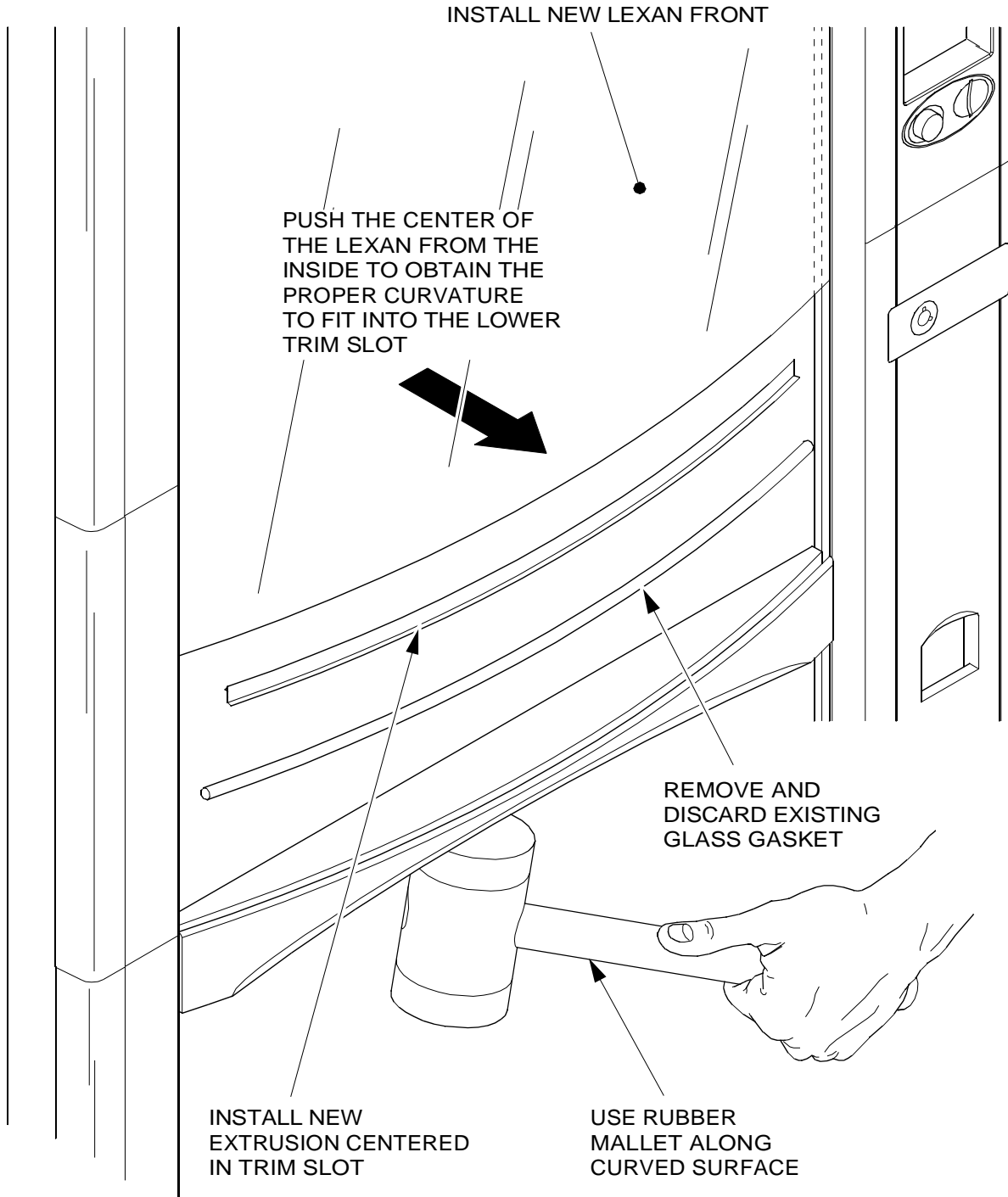
Figure 2

4. Clean the old silicone RTV from all parts and trim slots.

NOTE

Look at the new lexan panel and find the sheared end. It will be smooth with slightly tapered edges. The other end is cut with a saw and is rough, with diagonal lines. The sheared end goes toward the bottom to aid you in fitting the lexan panel into the lower trim slot.

5. See figure 3. Slide the new lexan panel into the door, sheared end down. If you had insufficient headroom to slide your old lexan panel out, you will need to install the new one as follows:
 - a. Carefully flex the lexan panel until both sides will fit into the side trim slots.
 - b. Ease the lexan panel into the side trim slots and release.



721pk002

Figure 3

6. See figure 2. Install the extrusion in the lower trim slot as shown and center it in the slot.

-
7. See figure 3. From the inside of the door, push on the lexan panel until its curvature matches the radius of the lower trim slot.
 8. Ease the lexan panel down into the lower trim slot, keeping the extrusion to the inside of the lexan panel. Once the lexan panel is in the lower trim slot, some taps on the top of the lexan with a rubber mallet may be necessary to get it to seat all the way down. Be sure the bottom trim (see figure 2) is square to the front of the door as shown. If necessary, tap up on the bottom of the trim.
 9. See figure 4. Install the groove fillers you removed earlier.
 10. Install the new extrusion in the top horizontal trim slot; center it in the slot.
 11. Install the horizontal trim over the lexan panel. Again, some tapping with a rubber mallet may be needed.

CAUTION

Certain areas mentioned in the following steps need to be properly sealed with silicone RTV for rain protection.

12. When the horizontal trim piece is flush with the top of the door, secure it in place with the screws you removed earlier. Apply silicone RTV to the seams that were previously sealed in the factory.
13. Apply silicone RTV to the screw holes which secure the rain guard.
14. Install the rain guard and secure with the hardware you removed earlier.

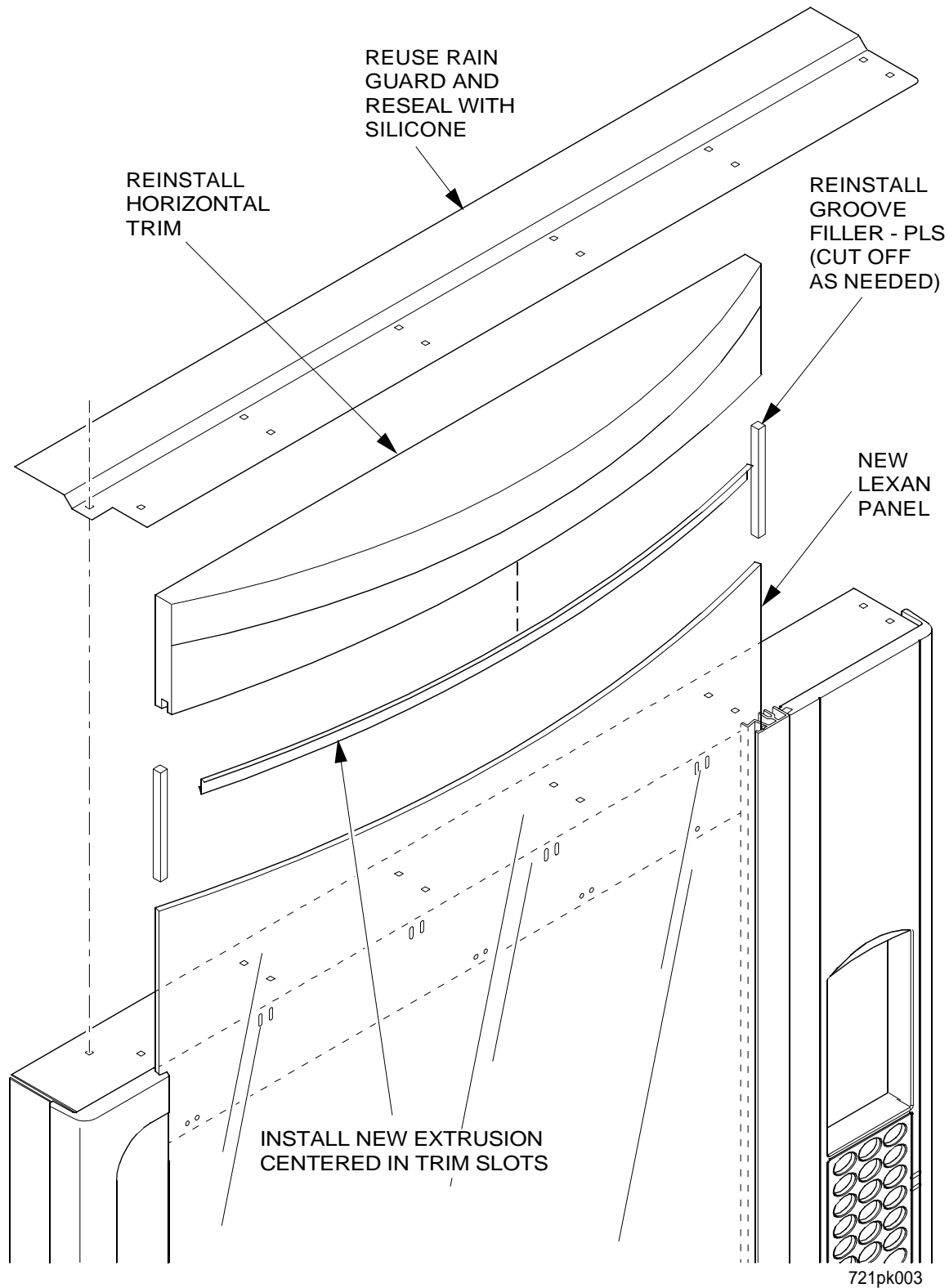


Figure 4